

Noże tokarskie składane - Toczenie wewnętrzne - System mocowania C

CTFP 90

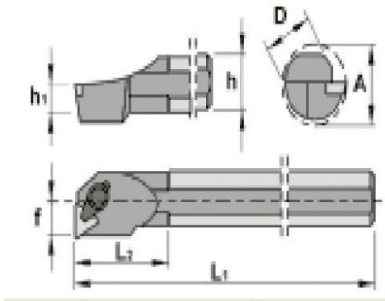
Charakterystyka:

Boring bar for internal turning applications equipped with square positive inserts and strong cutting edges. The top clamp ensures good rigidity and stability.

Zastosowanie:

Internal turning boring bar for all kind of materials. The workpiece should be stable.

Axial: 6°
Radial: 0°



| CTFP 90 | D | h | h1 | L1 | L2 | f | A | Rozmiar płytek | Waga | Cena |
|---------------------|----|----|-----|-----|----|----|----|----------------|------|------------|
| S10M CTFPR 09 prawy | 10 | 9 | 4,5 | 150 | 25 | 7 | 13 | TP..0902.. | 0,1 | 145,00 PLN |
| S10M CTFPL 09 lewy | 10 | 9 | 4,5 | 150 | 25 | 7 | 13 | TP..0902.. | 0,1 | 145,00 PLN |
| S12M CTFPR 09 prawy | 12 | 11 | 5,5 | 150 | 25 | 9 | 16 | TP..0902.. | 0,2 | 150,00 PLN |
| S12M CTFPL 09 lewy | 12 | 11 | 5,5 | 150 | 25 | 9 | 16 | TP..0902.. | 0,2 | 150,00 PLN |
| S12M CTFPR 11 prawy | 12 | 11 | 5,5 | 150 | 25 | 9 | 16 | TP..1103.. | 0,2 | 150,00 PLN |
| S12M CTFPL 11 lewy | 12 | 11 | 5,5 | 150 | 25 | 9 | 16 | TP..1103.. | 0,2 | 150,00 PLN |
| S16R CTFPR 11 prawy | 16 | 15 | 7,5 | 200 | 30 | 11 | 20 | TP..1103.. | 0,3 | 160,00 PLN |

| | | | | | | | | | | |
|---------------------|----|----|------|-----|----|----|----|------------|-----|------------|
| S16R CTFPL 11 lewy | 16 | 15 | 7,5 | 200 | 30 | 11 | 20 | TP..1103.. | 0,3 | 160,00 PLN |
| S20S CTFPR 11 prawy | 20 | 18 | 9,0 | 250 | 35 | 13 | 24 | TP..1103.. | 0,6 | 200,00 PLN |
| S20S CTFPL 11 lewy | 20 | 18 | 9,0 | 250 | 35 | 13 | 24 | SP..1203.. | 0,6 | 200,00 PLN |
| S16R CTFPR 16 prawy | 16 | 15 | 7,5 | 200 | 30 | 11 | 20 | SP..1203.. | 0,3 | 160,00 PLN |
| S16R CTFPL 16 lewy | 16 | 15 | 7,5 | 200 | 30 | 11 | 20 | SP..1203.. | 0,3 | 160,00 PLN |
| S20S CTFPR 16 prawy | 20 | 18 | 9,0 | 250 | 35 | 13 | 24 | TP..1603.. | 0,6 | 200,00 PLN |
| S20S CTFPL 16 lewy | 20 | 18 | 9,0 | 250 | 35 | 13 | 24 | TP..1603.. | 0,6 | 200,00 PLN |
| S25T CTFPR 16 prawy | 25 | 23 | 11,5 | 300 | 40 | 17 | 31 | TP..1603.. | 0,7 | 240,00 PLN |
| S25T CTFPL 16 lewy | 25 | 23 | 11,5 | 300 | 40 | 17 | 32 | TP..1603.. | 0,7 | 240,00 PLN |
| S32U CTFPR 16 prawy | 32 | 30 | 15,0 | 350 | 50 | 22 | 39 | TP..1603.. | 2,1 | 280,00 PLN |
| S32U CTFPL 16 lewy | 32 | 30 | 15,0 | 350 | 50 | 22 | 39 | TP..1603.. | 2,1 | 280,00 PLN |
| S40V CTFPR 16 prawy | 40 | 37 | 18,5 | 400 | 60 | 17 | 48 | TP..1603.. | 3,8 | 410,00 PLN |
| S40V CTFPL 16 lewy | 40 | 37 | 18,5 | 400 | 60 | 17 | 48 | TP..1603.. | 3,8 | 410,00 PLN |
| S50W CTFPR 16 prawy | 50 | 47 | 23,5 | 450 | 65 | 35 | 61 | TP..1603.. | 6,5 | 610,00 PLN |
| S50W CTFPL 16 lewy | 50 | 47 | 23,5 | 450 | 65 | 35 | 61 | TP..1603.. | 6,5 | 610,00 PLN |
| S40V CTFPR 22 prawy | 40 | 37 | 18,5 | 400 | 60 | 27 | 48 | TP..2204.. | 3,8 | 410,00 PLN |
| S40V CTFPL 22 lewy | 40 | 37 | 18,5 | 400 | 60 | 27 | 48 | TP..2204.. | 3,8 | 410,00 PLN |
| S50W CTFPR 22 prawy | 50 | 47 | 23,5 | 450 | 65 | 35 | 61 | TP..2204.. | 6,5 | 610,00 PLN |
| S50W CTFPL 22 lewy | 50 | 47 | 23,5 | 450 | 65 | 35 | 61 | TP..2204.. | 6,5 | 610,00 PLN |

Gdańska 10
70-660 Szczecin
* Telefon: +48 91 489 63 62
* Telefon: +48 500 189 009
* Fax: +48 91 462 30 00
* E-mail: baltictool@baltictool.com

10-03-2010